



Part Number : 1301230059

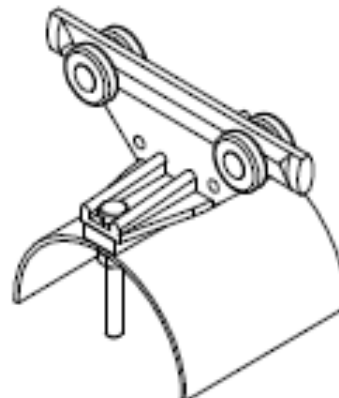
Product Description : I-Beam Festoon End
Clamp 638

Series Number : 130123

Status : Active

Product Category : Festoons

Engineering Number : 0638020



Product Environment Compliance

Compliance

China RoHS	Not Reviewed
EU ELV	Not Reviewed
Low-Halogen Status	Not Reviewed
REACH SVHC	Not Reviewed
EU RoHS	Not Reviewed

Multiple Part Product Compliance Statements

- Eu RoHS
- REACH SVHC
- Low-Halogen

Multiple Part Industry Compliance Documents

- IPC 1752A Class C
- IPC 1752A Class D
- Molex Product Compliance Declaration
- IEC-62474
- chemSHERPA (xml)

EU RoHS Certificate of Compliance

Part Details

General

Status	Active
Category	Festoons

Series	130123
Description	I-Beam Festoon End Clamp 638
Component Type	End Clamp
Product Name	Aero-Motive
Type	I-Beam
UPC	78678863077

Physical

Cable Height - Maximum	25.40mm (1.000")
Cable Width - Maximum	151.38mm (5.960")
Combined Cable Weight-Max./Car	79.38kg (175.0 lb)
Depth	209.55mm (8.250")
Duty	Heavy
Height	336.55mm (13.250")
Length	325.88mm (12.830")
Material - Coating	Powder Coating
Material - Metal	Steel
Packaging Type	Individual Carton
Saddle Radius	112.78mm (4.440")
Thread Size	N/A
Travel Speed - Maximum	121.92 mpm (400 fpm)
Wire/Cable Type	Flat