



Part Number : [1200740241](#)

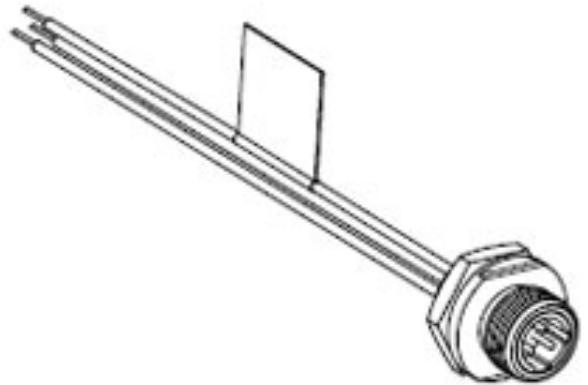
Product Description : Micro-Change (1/2" - 20 UNF) US Dual Keyway Receptacle, 6 Poles, 1/4" -18 NPT Mounting Threads, Male (Straight) to 22 AWG PVC Leads, 0.305m (1.0') Length

Series Number : 120074

Status : Active

Product Category : Circular Industrial Connectors

Engineering Number : 7R6A06A19A120



Documents & Resources

Drawings

[1200740241_sd.pdf](#)

Product Environment Compliance

Compliance

GADSL/IMDS	Not Relevant
China RoHS	
EU ELV	Not Relevant
Low-Halogen Status	Not Reviewed per IEC 61249-2-21
REACH SVHC	Contains Lead per D(2020)9139-DC (19 Jan 2021)
EU RoHS	Compliant with Exemption 6(c) per EU 2015/863

Multiple Part Product Compliance Statements

- Eu RoHS
- REACH SVHC
- Low-Halogen

Multiple Part Industry Compliance Documents

- IPC 1752A Class C
- IPC 1752A Class D
- Molex Product Compliance Declaration
- IEC-62474
- chemSHERPA (xml)

Part Details

General

Status	Active
Category	Circular Industrial Connectors
Series	120074
Description	Micro-Change (1/2" - 20 UNF) US Dual Keyway Receptacle, 6 Poles, 1/4" -18 NPT Mounting Threads, Male (Straight) to 22 AWG PVC Leads, 0.305m (1.0') Length
IP Rating	IP67
NEMA Rating	NEMA 6
Product Name	Micro-Change (1/2" - 20 UNF)
Type	Single Ended (pigtail)
UPC	78678821757

Agency

CSA	LR6837
UL	E152210

Electrical

Current - Maximum per Contact	4.0A
Voltage - Maximum	250V AC/DC

Physical

Coupling Type	External Thread
Gender	Male
Keyway	Dual
Length	0.305m
Material - Component	Gray Anodized Aluminum
Mounting Thread Size	1/4" - 18 NPT
Orientation	Straight
Panel Mount	Front
Poles	6

Temperature Range - Operating	-20° to +80°C
Wire/Cable Type	Leads, UL 1061
Wire Size (AWG)	22

This document was generated on Mar 27, 2025