



**Part Number :** [1200669711](#)

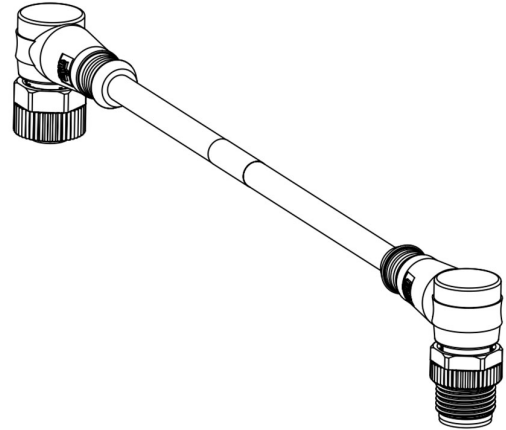
**Product Description :** Micro-Change (M12) Double-Ended Cordset with Knurled Hexnut, 5 Poles, Male (90°) to Female (90°), 22, AWG, Yellow TPU WSOR Cable, Yellow Overmold, 10.0m (32.81') Length

**Series Number :** 120066

**Status :** Active

**Product Category :** Circular Industrial Cordsets

**Engineering Number :** 885033B55M100Y



---

## Documents & Resources

### Drawings

[1200669711\\_sd.pdf](#)

---

## Product Environment Compliance

### Compliance

GADSL/IMDS	Not Relevant
China RoHS	Not Relevant
EU ELV	Compliant with Exemption 3 per 2000/53/EC
Low-Halogen Status	Not Relevant
REACH SVHC	Contains Lead; 6,6'-Di-tert-butyl-2,2'-methylenedi-p-cresol per D(2024)6225-DC (07 Nov 2024)
EU RoHS	Compliant with Exemption 6(c) per EU 2015/863

### Multiple Part Product Compliance Statements

- Eu RoHS
- REACH SVHC
- Low-Halogen

### Multiple Part Industry Compliance Documents

- IPC 1752A Class C
- IPC 1752A Class D

- Molex Product Compliance Declaration
- IEC-62474
- chemSHERPA (xml)

EU RoHS Certificate of Compliance

---

## Part Details

### General

Status	Active
Category	Circular Industrial Cordsets
Series	120066
Description	Micro-Change (M12) Double-Ended Cordset with Knurled Hexnut, 5 Poles, Male (90°) to Female (90°), 22, AWG, Yellow TPU WSOR Cable, Yellow Overmold, 10.0m (32.81') Length
IP Rating	IP67
Product Name	Micro-Change (M12)
Type	Double Ended
UPC	193264204014

### Agency

UL	E152210
----	---------

### Electrical

Current - Maximum per Contact	4.0A
Voltage - Maximum	60V

### Physical

Cable Diameter	5.50mm (.216")
Cable Length	10.0m (32.81')
Color - Cable Jacket	Yellow
Connector End A	Micro-Change (M12)
Connector End B	Micro-Change (M12)
Coupling Style	Threaded
Gender	Female-Male
Keyway	Single

LED Indicator	None
Material - Cable Jacket	TPU
Material - Connector Body	TPU
Material - Contact	Brass
Material - Coupling Nut	Nickel-plated Brass
Material - O-Ring	FPM
Material - Plating Mating	Gold
Net Weight	462.000/g
Orientation	90° to 90°
Poles	5
Temperature Range - Operating	-25° to +80°C
Wire/Cable Type	UL 21215
Wire Size (AWG)	22